

TPM | TPM PE | TPM INOX

The ideal "fellow worker"

Capacity (kg): 2000 - 2500 - 3000 | Lifting Height (mm): 200

TPM

The ideal assistant for simple and quick handling of palletized goods in confined spaces. The rigid frame, reliable hydraulic pump made from aluminum, and wheels with easy rolling bearings assure agility and stability.



Additional rollers make inserting and removal from the pallet nearly effortless.



3-position (lowering - neutral - lifting) control lever in the steering arm.



TPM INOX

A fully stainless steel version can be used in environments with high humidity, dust and corrosive chemicals.



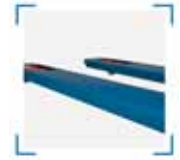
TPM PE

An optional load cell based weighing system installed in the forks has a digital display to save the operator time and effort.



HAND PALLET TRUCKS

Features in detail:



REDUCED FORKS:

Forks reduced to only 51mm thickness for special pallets that are characterised by a reduced forking gap.



LONGER FORKS:

Longer forks up to 1500 mm, 1800 mm and 2000 mm; shorter forks to 800 mm and 1000 mm.



SHAPED FORKS:

Custom forks are available for handling rolls and coils with various diameters.

TPM 10 GAL 12V | TPM 10 GAL

Stacker Pallet Truck

Capacity (kg): 1000 | Lifting Height (mm): 800

TPM 10 GAL 12V

A full lift pallet truck with 12V battery powered electric lift, the TPM is a versatile handling solution. The scissor lift mechanism raises the load to 800 mm from the floor. The TPM GAL is simple, stable and ergonomic. Use it as a work bench or to support assembly lines.



TPM 10 GAL

A simpler, more economical version of the TPM GAL with hand operated hydraulic lift.

HAND PALLET TRUCKS

Features in detail:



BUTTONS:

Push buttons for lifting and lowering are built into the steering arm.



STABILIZERS:

Foot guard and rear stabilizers to assure maximum stability.



BATTERY CHARGER:

12V, 15A battery charger built-in into the machine frame.



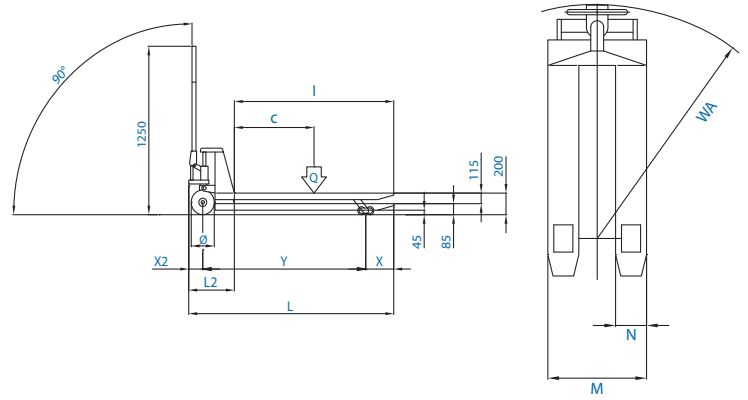
TPM

model		TPM 2500	TPM 3000	TPM FRUTTA
Q	Kg	2500	3000	2500
C	mm	600	600	600
I	mm	1150	1150	1150
L	mm	1545	1545	1545
L2	mm	395	395	395
M	mm	520	520	685
N	mm	160	160	160
Ø	mm	200	200	200

model		TPM 2000/1500	TPM 2000/1800	TPM 2000/2000
Q	Kg	2000	2000	2000
C	mm	750	900	1000
I	mm	1500	1800	2000
L	mm	1895	2195	2395
L2	mm	395	395	395
M	mm	540	540	540
N	mm	160	160	160
Ø	mm	200	200	200

STANDARD EQUIPMENT

- Strong steel frame • Steel lifting pump • Steel lever system • Entering rollers
- Lifting by manual pump • Steering lever with 3 positions • Manual traction

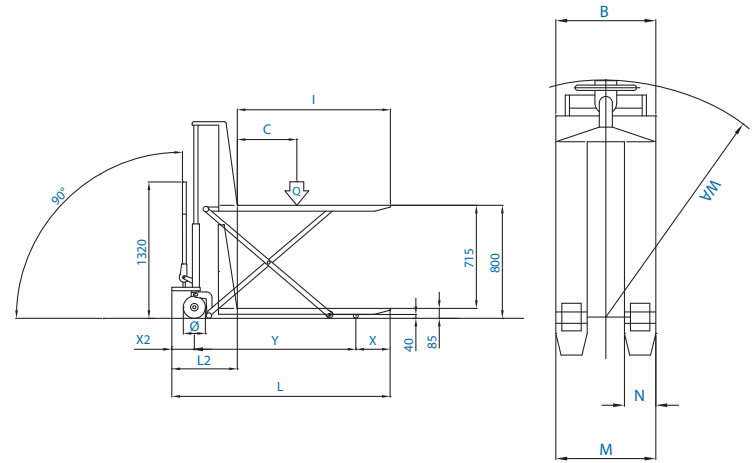


TPM 10 GAL

model		TPM 10 GAL
Q	Kg	1000
C	mm	600
I	mm	1150
L	mm	1545
X	mm	215
X2	mm	135
Y	mm	1195
L2	mm	395
M	mm	520
N	mm	180
Ø	mm	150
h1	mm	/
h3	mm	/

STANDARD EQUIPMENT

- Manual traction • Steel lifting pump • Lifting by manual pump
- Steering lever with 3 positions • Forks lifting mm. 800



TPM 10 GAL 12V

model		TPM 10 GAL 12V
Q	Kg	1000
C	mm	600
I	mm	1150
L	mm	1640
X	mm	180
X2	mm	145
Y	mm	1315
L2	mm	490
M	mm	520
N	mm	160
Ø	mm	160
h1	mm	85
h3	mm	800

STANDARD EQUIPMENT

- Manual traction • 12V Electric lifting • Battery 12V 110AH (12V 155 Ah on request)
- Built-in electronic battery charger 24V 15A with microprocessor • Forks lifting mm. 800 • Emergency stop button • Exhausted battery warning-indicator • Forks control by push-buttons • Electric end stroke • Anti-crushing safety micro by steering • Foot protection on rear wheel

